



2" Threaded Deep Well Hand Pump Owner's Manual

Pump Head Revision Level J

Cylinder Revision Level: 1.5"- D

Serial No. _____

BISON PUMPS
The Power of Water in Your Hands

Proudly Manufactured in Conway, Arkansas, UNITED STATES OF AMERICA.

Table of Contents

Product Specifications 3

Collage of Contents 5

Pre-Installation 6

2” Threaded Pump Installation Instructions 7

Addendum A: Heavy Duty Pump Head and Handle Option..... 13

Additional Installation Tips 14

Appendix

Detail A: 2” Threaded Pump System Parts Breakdown 16

Detail B: Weep Hole Location Diagram..... 17

Detail C: Pump Assembly Exploded View 18

Detail D: Pump Assembly Part Listing..... 19

Detail E: Standard Cylinder Assembly Exploded View 20

Detail F: Standard Cylinder Assembly Part Listing 21

Detail G: Pipe & Rod Assembly Exploded View..... 22

Detail H: Pipe & Rod Assembly Part Listing 23



Bison Deep Well Hand Pump

Owner's Manual

Product Specifications

Description: The 2" Threaded Deep Well Hand Pump is a Stand-Alone Deep Well Pump System that functions the same as the Side-By-Side but is not installed in the same well casing as your electric submersible pump system due to a lack of available space inside the casing. It is recommended when the well casing is 2" NPT and there is not an electric submersible pump system installed in the well.

Design and Construction

- Stainless steel construction of pump head, lift rod, handle and hardware
- Hand-polished for a professional shine finish
- Delivers approximately 4 oz. per stroke (with a 1.5" standard cylinder)
- Pumps from 250 foot depth
- Freeze proof
- No priming needed
- No routine maintenance
- Lifetime warranty

Options

- Heavy Duty Pump Head and Handle Option (for depths up to 300 feet)

Dimensions

Pump Head

- Overall height: 39"
- Inlet connection: 1" NPT male thread
- Spout connection: ¾" Garden Hose male thread
- Handle: 36"
- Weight: 20 pounds

Drop Pipe and Rod

- Overall Length: 8' standard (4' available)
- Drop Pipe Size: 1" NPT Schedule 120 PVC threaded
- Rod: 3/8" diameter 304 stainless steel
- Weight: Approximately 7 pounds per 8 foot section (1" drop pipe & rod)

Standard Cylinder

- Overall Length: 22.5" (24.25" with plastic screen installed)
- Diameter: 1.5"
- Output: 4 oz. per stroke
- Weight: 3 lbs.

Contents

- (1) – 304 Stainless Steel Pump Head with 2" NPT bushing to attach to threaded well casing
- (1) – Deep Well 304 Stainless Steel Standard Cylinder with safety rope
- (1) – Schedule 120 PVC Drop Pipe and 3/8" Stainless Steel Rod (in 8' lengths sufficient to reach approximately 20' below your static water level)
- (1) – Brass Hose Bibb Cap
- (1) – Installation Paddle
- (1) – Rod Retrieval Tool
- (1) – Installation Manual



BISON PUMPS
The Power of Water in Your Hands



Pre-Installation

Warning – You must comply with your local plumbing code. Contact a certified plumber if you have questions about proper plumbing codes in your area.

Before you begin the installation of your new pump, open the box and inspect the contents. Verify that you have received everything that you ordered. If there is anything that is missing or doesn't match, please call Bison Pumps immediately to correct the situation (1-800-339-2601).

Record your Deep Well Pump Serial Number on the front page of this manual.

A 2" casing that is 12"-18" or more above ground may not be strong enough to withstand the axial load generated from pumping. **Bison Pumps recommends building some type of support structure around the casing or concrete, etc.**

Read the instructions completely before beginning the installation process.



BISON PUMPS
The Power of Water in Your Hands

2" Threaded Pump Installation Instructions

(Bison Pumps recommends that two people be involved for ease of installation.)

(Bison Pumps recommends installation from a licensed well driller/installer)

Step #1: Verify there is proper space for the hand pump and standard cylinder

Drop Pipe and Rod:

For the optimum ergonomic position, it is best to have approximately 12"-18" of casing above ground (See Detail A). During the installation, you will need a clean space to layout the drop pipe & rod and standard cylinder. When performing maintenance of the standard cylinder all the drop pipe & rod will have to be removed. Ensure there is sufficient room to accommodate this.

Standard Cylinder:

The Bison Pump standard cylinder that you purchased requires a certain amount of space inside the casing. Review your packing slip to verify the size of standard cylinder that you ordered. Remove the existing well cover or seal and set it aside.

Step #2: Installation items needed

Tools required: ½", 9/16" and 7/16" open end wrenches, pliers, vice grips, cordless or electric drill with 1/8" drill bit, 3/16" allen wrench

Supplies required: Measuring tape, gloves, Teflon tape, a felt pen, Installation Paddle & Rod Retrieval Tool (both included with pump system)

Note: If more than 14 lengths of drop pipe & rod will be installed, a mechanical means of lowering them into the well is recommended.

Step #3: Unpack Standard Cylinder and Drop Pipe & Rod

Unpack the Bison pump system Standard Cylinder, Drop Pipe & Rod, Rod Retrieval Tool, and the Installation Paddle. **Verify that all items ordered were received by comparing the contents with the supplied packing slip.**

Standard Cylinder: The standard cylinder will be shipped inside the box with the pump head. Remove the Bison standard cylinder from the box. **TAKE EXTRA CARE WHEN HANDLING THE STANDARD CYLINDER TO NOT DAMAGE THE BODY.** The standard cylinder will have a rope tied around it for safety. This rope will be used to secure the standard cylinder as it is lowered into the well. Remove the plastic plug from the end of the standard cylinder. Using the Rod Retrieval Tool (thread it onto the cylinder piston rod) pump the piston 3-4 times, listening for a 'burp'

sound. **If you do not hear a ‘burp’ sound, stop and call Bison Pumps before proceeding.** After checking for the ‘burp’, pull the rod out of the piston until approximately 8” of the rod are exposed. Remove the Rod Retrieval Tool and set the standard cylinder aside once completed. **DO NOT REMOVE THE ROPE.** See **Details E & F** for exploded views and part listings of the standard cylinder assembly.

Drop Pipe & Rod: Depending upon your order there could be multiple boxes of Drop Pipe & Rod. Open the box and remove a section of Drop Pipe & Rod. In the inner and outside end of each section there will be plastic plugs. When the time comes to use the Drop Pipe & Rod all plastic plugs must be removed first.

Each section is eight (8) feet long and has a bell on one end. The “bell end” goes “up” and will be used to hold the pipe system with the Installation Paddle. See **Details G & H** for exploded views and part listings of the drop pipe & rod assembly.

Weep hole: If you live in an area that experiences freezing temperatures you will need to add a weep hole to the PVC Drop Pipe below your frost line. First you will need to determine the depth of the frost line in your area. Add that figure, in inches, to the height of the casing above the ground. You now have the total depth needed to be at the frost line in your area. Add another 9” to this figure to ensure you are below the frost line.

Remove a drop pipe & rod section from the boxes. Remove the rod from the drop pipe. Starting at the bell end, measure the distance calculated from the bell end and mark with a felt pen.

Using a cordless or electric drill with a 1/8” drill bit, drill a hole in the side of the PVC drop pipe (note to only drill the hole in ONE side). Shake the PVC drop pipe to clear out any debris from drilling the hole.

Note: This section of drop pipe with the weep hole is normally attached to the pump head. See **Detail B for the Weep Hole Location Diagram.**

STEP #4: Tie the safety rope to a secure object

Using the safety rope that is tied to the standard cylinder, tie the other end of the safety rope to a secure object inside the well casing. **(See Detail A).** Put all remaining rope inside the well casing.

STEP #5: Connect the Standard Cylinder to the first piece of Drop Pipe & Rod

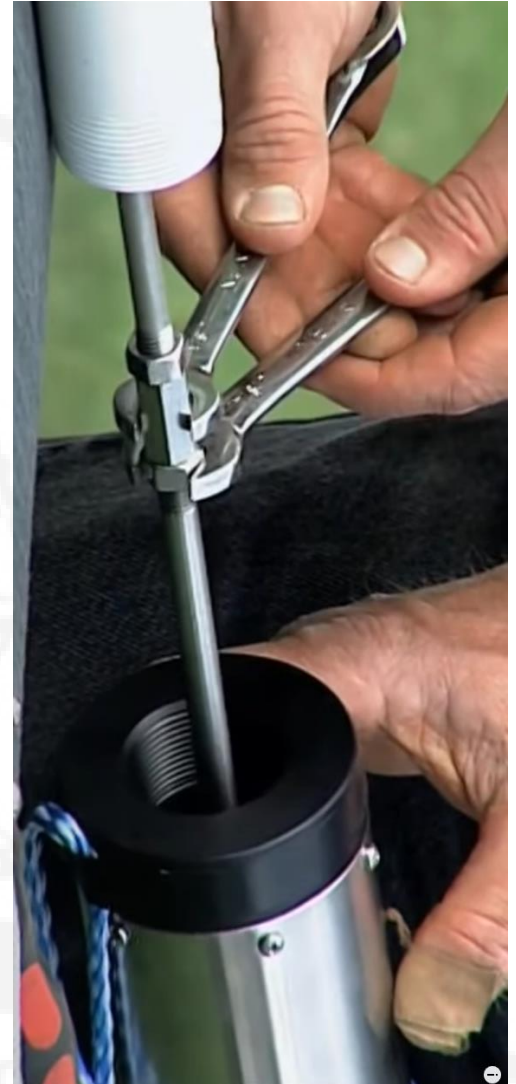
Note: when you receive your rod the coupling nut will already be tightened securely.

One person should hold the standard cylinder (with the lift rod protruding about 8" outside the top cap) straight up and down. The second person will hold the Drop Pipe & Rod straight above the standard cylinder with the "bell end" **pointed up** (It is important to maintain a straight line between the cylinder lift rod and the pipe rod so that they can be screwed together). The person holding the standard cylinder will grasp the rod end with the Coupling Nut and screw it onto the Cylinder Lift Rod. The cylinder lift rod should butt against the pipe rod inside the coupling nut. Using ½" and 9/16" open end wrenches, tighten the locking nut on the Cylinder Lift Rod against the coupling nut. **Be sure to tighten the 3/8" stainless steel jam nuts on both sides of the rod coupling (using a 9/16" open end wrench).**

STEP #6: Attach first PVC drop pipe section

Screw the PVC male end of the first 8' section of drop pipe into the female thread in the head of the standard cylinder and hand tighten. **DO NOT OVERTIGHTEN THE PVC DROP PIPE.**

The Drop Pipe will come with Teflon tape on the threads. If something causes this supplied Teflon tape to be unusable you **must replace it with new Teflon tape. DO NOT USE PIPE DOPE**



BISON PUMPS
The Power of Water in Your Hands

STEP #7: Insert the Installation Paddle

Retrieve the installation paddle. **Hold it so that the logo on the handle is facing up.** This paddle orientation will have the angled slot on top. This angle matches the drop pipe bell end. As the lengths of drop pipe and rod get heavier the paddle will try to cut into the PVC if the angle is on the bottom. One person now lowers the standard cylinder and the first 8' section of piping into the well. The second person slides the installation paddle, top side up, under the PVC bell end of the drop pipe and rests the paddle on top of the well casing. This will hold the drop pipe in place while you assemble the next rod and drop pipe.



Verify that the paddle is sitting in the middle of the casing with the rope in the slot. Be careful that the rope remains in the slot through-out the installation process to prevent cutting of the rope by the paddle.

STEP #8: Attach all sections of Drop Pipe & Rod

Attach the rod retrieval tool to the last section of rod and pull all the way up. Attach vice grips to the rod leaving about four inches of the rod above the vice grips. Slowly lower the rod until the vice grips are against the opening of the bell housing end of the PVC drop pipe. This will hold the rod up from the drop pipe to allow the next section to be attached.

Remove the next section of drop pipe & rod from the box. Remove all plastic covers. One person should hold the drop pipe & rod straight above the previous section. The other person will grasp the rod end with the Coupling Nut and screw it onto the rod. The bottom rod should butt against the pipe rod inside the coupling nut. Using $\frac{1}{2}$ " and $\frac{9}{16}$ " open end wrenches, tighten the locking nut on the rod against the coupling nut.

Continue to connect the $\frac{3}{8}$ " locking & coupling nuts and PVC Drop Pipe until you have lowered all of the drop pipe into the well. **DO NOT OVERTIGHTEN THE PVC DROP PIPE.**

Be certain that the section of drop pipe and rod attached to the pump head has the weep hole installed.

STEP #9: Unpack the Bison Pump Head

Remove the Bison pump head from the shipping box. It will have a plastic plug on the bottom water inlet; remove and discard this plug. Also remove the Brass Hose Bibb Cap (Detail C – Item 10) and set aside until needed later.

STEP #10: Prepare the handle for installation

Remove the handle shoulder bolt using a 3/16" Allen wrench and 1/2" open end wrench (See Detail C – Item 1). Lower the handle so that it lays against the pump body.

STEP #11: Attach the Bison Pump Head to the Drop Pipe & Rod

Note: Be sure that the last rod is sticking up out of the drop pipe and is held in place by the vice grips.

One person should hold the pump head over the well casing straight above the last drop pipe & rod. The other person will screw the 3/8" rod that is protruding from the last drop pipe into the bottom of the 1/2" lift rod protruding from the bottom of the pump head. This is best accomplished by spinning the lift rod into the 3/8" rod threads. Tighten these rods together using a 7/16" open end wrench on the flat cut into the lift rod and the vice grips holding the 3/8" rod. Thread the lock nut up against the lift rod and tighten using a 1/2" and 9/16" open ended wrench.

The person holding the pump head should raise the pump head until the eyelet on the end of the lift rod is against the gland nut on the top of the pump head. They should brace themselves for the weight of the drop pipe & rod.

The other person should quickly remove the vice grips once the other person is ready. Then slowly lower the pump head inlet pipe into the bell of the PVC drop pipe. The person holding the pump head should turn the pump head clockwise to screw the inlet pipe into the PVC drop pipe while the other person holds the PVC drop pipe. Hand tighten the inlet/PVC connection.

DO NOT OVERTIGHTEN.

The Power of Water in Your Hands

STEP #12: Secure the pump head to the well casing

Lift pump system, remove installation paddle, and slowly set the well pump adapter onto the casing, squarely and straightly; then thread the well pump adapter onto the casing and hand tighten.

STEP #13: Prepare the pump head handle for use

Reconnect the pump handle to the lift rod using the handle shoulder bolt with a 3/16" Allen wrench and ½" open end wrench (**Detail C – Item 1**). Do not over tighten the shoulder bolt as this will cause increased force to pump handle.

Note that the handle will likely be pulled down by the lift rod causing the handle to stick out straight. Lower the handle and attach the chain hook (**Detail C – Item 8a**) to the handle for it to remain in the lowered position.

Reattach the cap to the spout when not in use.

STEP #14: Using your Bison deep well pump for the first time

First remove the cap on the spout. Then, while depressing the handle with one hand, remove the chain hook with the other hand. Slowly begin to pump the handle. It could take several strokes depending on the depth of your well to initially prime the pump. Once primed, 2-3 strokes should produce water out of the spout.

If water comes out of the top of the pump, the gland nut (**Detail C – Item 14**) is likely too loose. Tighten the gland nut by hand in ¼ turn increments and try pumping again. Repeat this process until water ceases to flow out of the gland nut. **Do not overtighten** as this may cause difficulty in pumping your hand pump or damage to your lift rod.

Pump the handle on your Bison Deep Well Hand Pump and enjoy a cold glass of water directly from your well!

If you are currently treating the water in your home, remember that the water you pump directly from your well is untreated water. Bison Pumps recommends that you have your water tested to be sure that it is good quality potable drinking water.

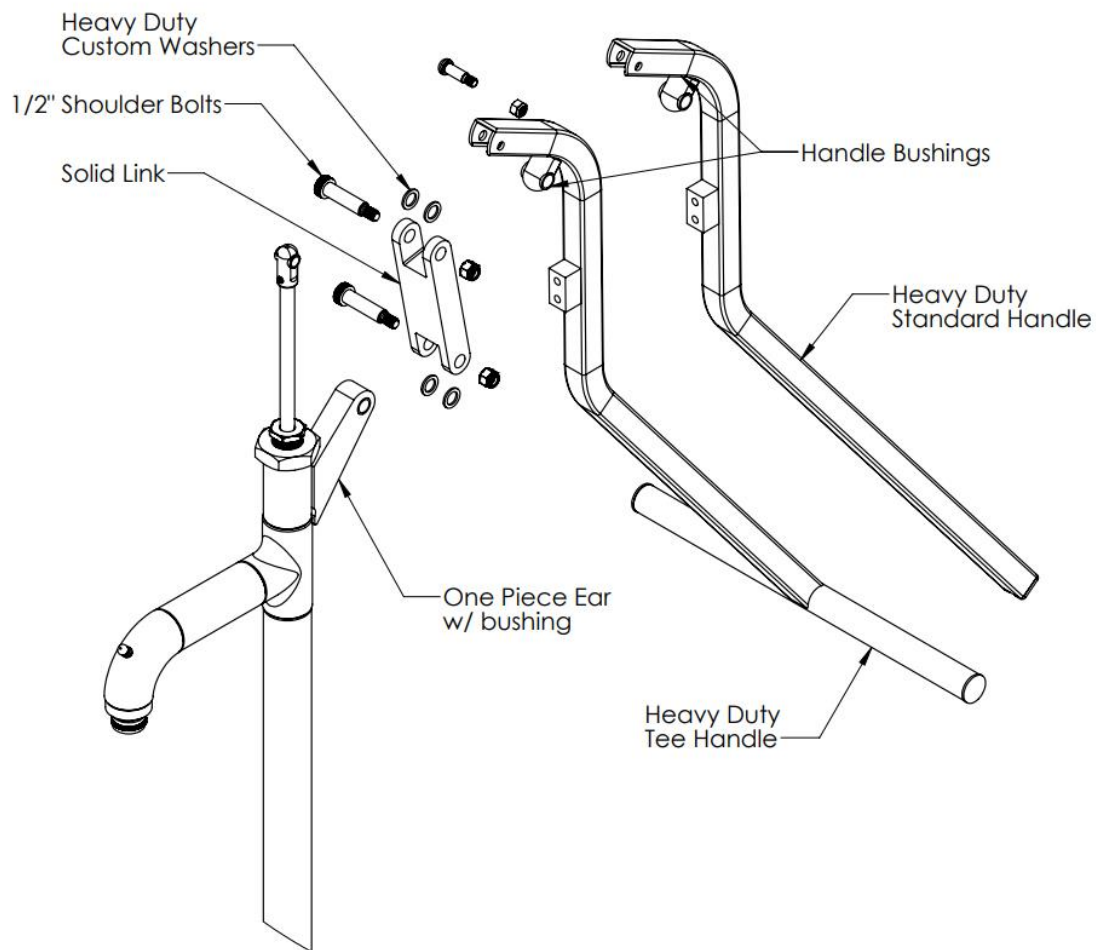
The Power of Water in Your Hands

Addendum A: Heavy Duty Pump Head and Handle Option

*Bison Pumps offers a Heavy Duty Pump Head and Handle Option designed for wells with a static water level greater than 250 feet or in high usage applications. It can be added to any of the deep well pump systems but must be ordered when the pump system is ordered.

The Heavy Duty Pump Head and Handle Option includes:

- Brass bushings in the handle linkage system
- A solid stainless steel link
- A solid stainless steel ear
- Two handle options for pumping at either greater depths or considerably higher rates of usage.



Additional Installation Tips

1. **Be sure to check local plumbing codes in your area to verify your installation meets all code requirements.**
2. If you live in an area that experiences freezing temperatures, be sure to drill a 1/8" hole below your frost line in the PVC drop pipe. See **Step #3 – Weep Hole & Detail B** for more information.
3. On the top of the pump body is a gland nut which the lift rod slides through when pumping your hand pump. ***This nut should be hand tight.*** If there is leaking through this nut, then tighten this gland nut in quarter turn increments until leaking stops. **Do not overtighten** as this may cause difficulty in pumping your hand pump or damage to your lift rod.

If the gland nut squeaks apply a small amount of Extra Virgin Olive Oil. This is used for lubricating the pump internally. Do not use petroleum products to lubricate the pump.

4. You will notice a handle locking loop is attached to your pump handle along with a stainless-steel chain and hook. If you choose, you can use either a paddle lock or a cable lock to secure the handle to the pump when not in use. Locking the handle is optional.
5. You will also notice that a brass hose bibb cap is shipped with the pump head. This cap can be tightened to the hose bibb to keep insects out when the pump is not in use. **Caution: In the winter months, be sure to let the pump drain back completely before securing the brass cap. You may not want to use the cap during the winter.**
6. If you experience any deficiencies or malfunction of your Deep Well Hand Pump, please contact Bison Pumps for assistance and answers to your specific questions or concerns.
7. Thank you for investing in a Bison Deep Well Hand Pump.

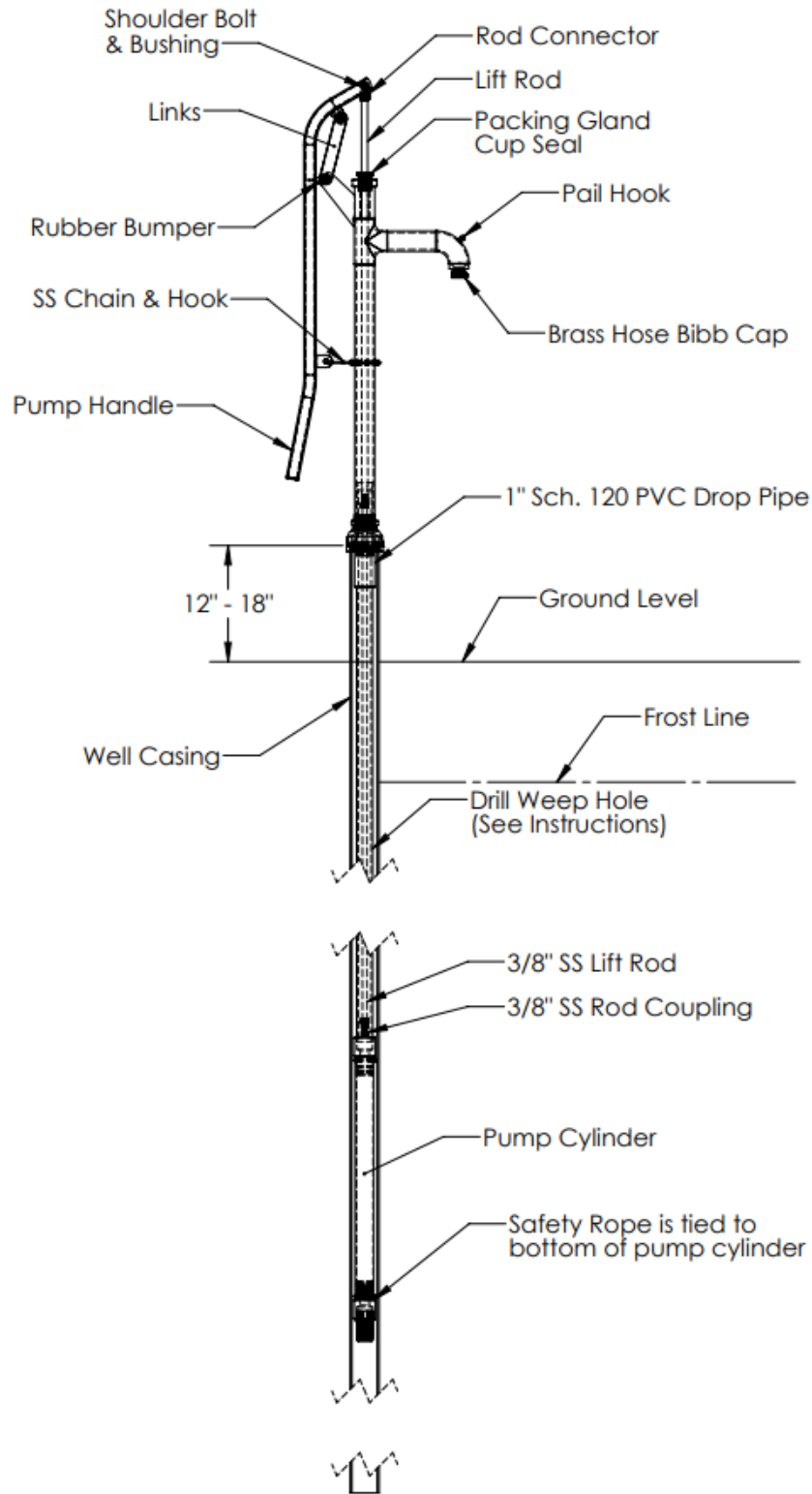
If you have any questions, please call 1-800-339-2601.



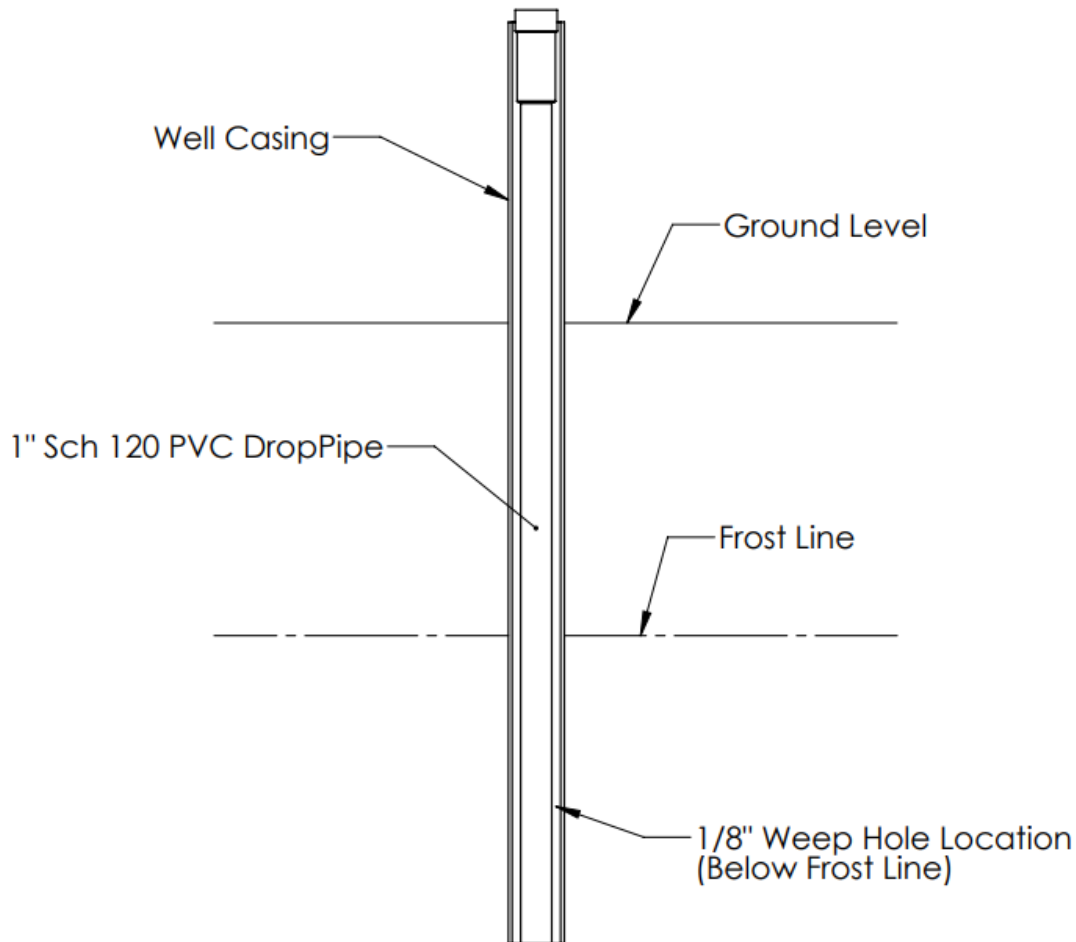
Appendix

BISON PUMPS
The Power of Water in Your Hands

Detail A: 2" Threaded Pump System Parts Breakdown



Detail B: Weep Hole Location Diagram



NOT TO SCALE

FOR ILLUSTRATION PURPOSE ONLY

The Power of Water in Your Hands

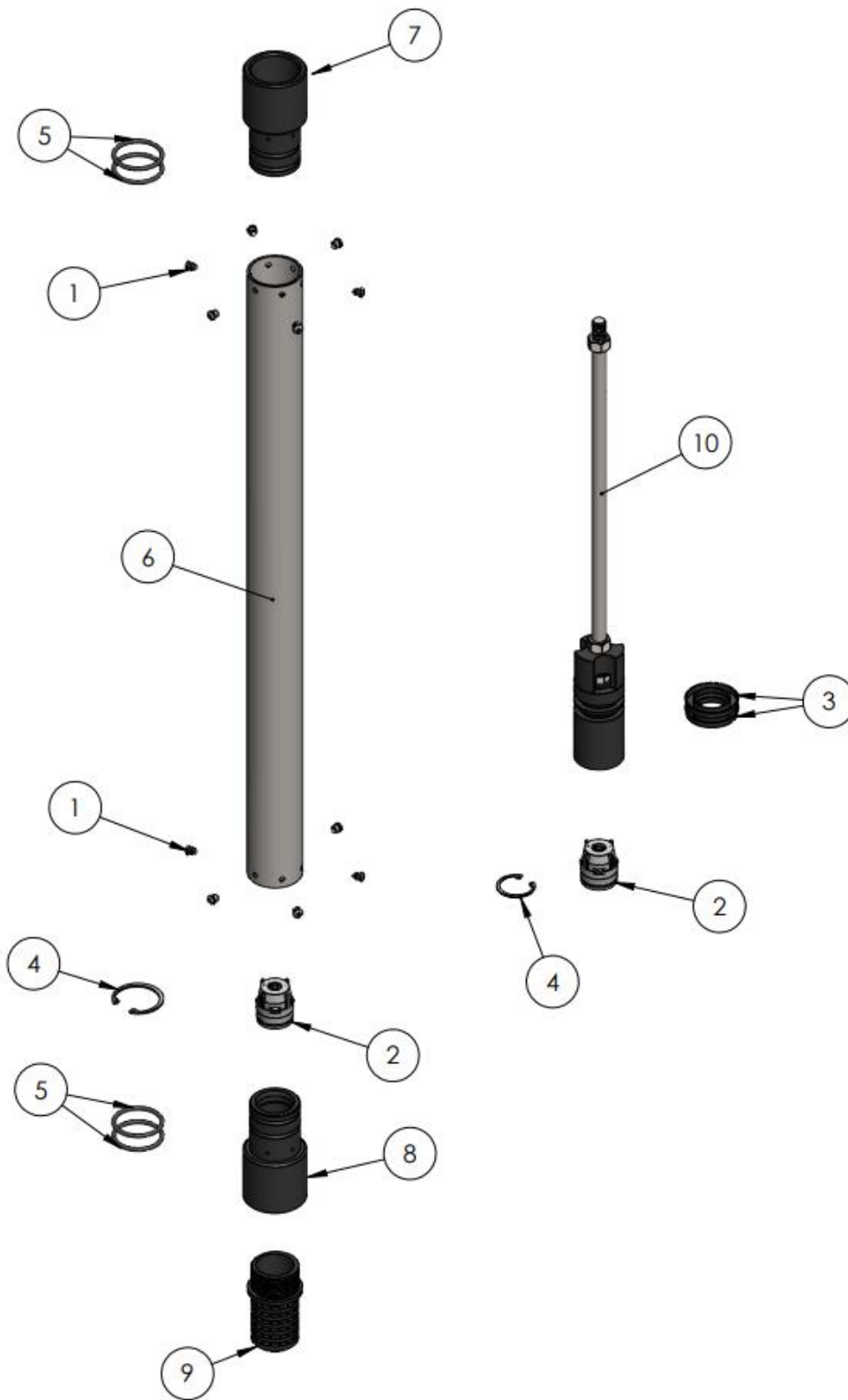
Note: Depending on Well Casing height, and the frost line depth, it is possible for the weep hole location to be on the 2nd section of drop pipe instead of the 1st (the drop pipe connected to the pump head). Be sure to add the well casing height from the ground to the frost line depth to ensure the weep hole location is below the frost line.

Detail D: Pump Assembly Part Listing

Item	Part Number	Description	Quantity
1	50-001-0-03-06	Handle Shoulder Bolt	1
2	04-000-1-50-19	Handle Hex Lock Nut	1
3	50-200-0-03-01	Handle	1
4	04-000-1-50-20	Link Hex Lock Nut	2
5	04-000-5-40-01	Link Washer	12
6	50-001-0-03-03	Link	3
7	50-001-9-03-10	Link Shoulder Bolt	2
8a	50-200-0-13-00	Chain Hook	1
8b	50-200-0-14-00	Handle Chain	1
9	---	Pump Body	1
10	55-001-0-06-00	Brass Hose Bibb Cap	1
11	50-208-0-08-05	Bottom Bushing	1
12	04-001-3-71-01	Packing Gland Cup Seal	1
13	04-000-5-40-02	Packing Gland Backing Washer	1
14	50-200-0-07-00	Gland Nut	1
15	50-001-0-04-05	Rod Connector Screw	1
16	50-200-0-04-03	Lift Rod	1
17	05-001-6-04-01	Bushing	1
18	50-001-0-04-04	Rod Connector	1

BISON PUMPS
The Power of Water in Your Hands

Detail E: Standard Cylinder Assembly Exploded View

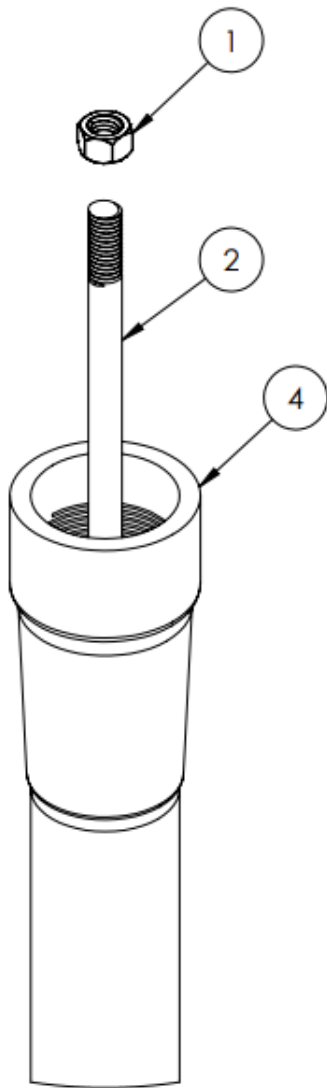


Detail F: Standard Cylinder Assembly Part Listing

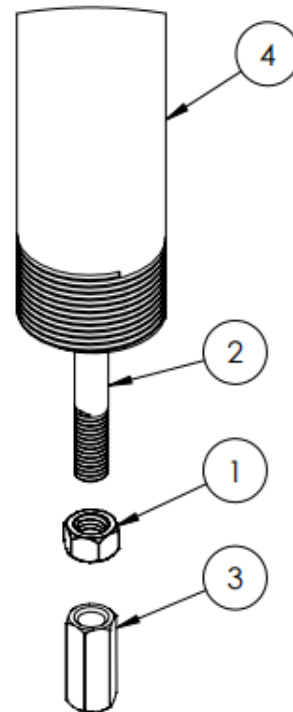
1.5" Cylinder:

Item No.	Part Number	Description	Quantity
1	04-000-1-45-32	Philips Sheet Metal Screws	12
2	04-000-5-75-04	Check Valve	2
3	04-002-3-71-02	Piston Cup Seal	2
4	04-022-1-68-03	Internal Snap Ring	2
5	04-103-3-70-01	O-ring	4
6	51-200-3-01-02	Cylinder Body	1
7	51-200-3-01-04	Top End Cap	1
8	51-200-3-01-04	Bottom End Cap	1
9	51-200-2-01-05	Filter	1
10	51-200-3-02-01	Piston Assembly	1

Detail G: Pipe & Rod Assembly Exploded View



"Bell End"



"Male End"

Detail H: Pipe & Rod Assembly Part Listing

Item No.	Part Number	Description	Quantity
1	04-000-1-50-22	Hex Nut	2
2	51-200-0-04-02	Drop Rod	1
3	51-200-0-04-03	Coupling Nut	1
4	51-200-0-06-00	1" Drop Pipe	1



BISON PUMPS
 The Power of Water in Your Hands